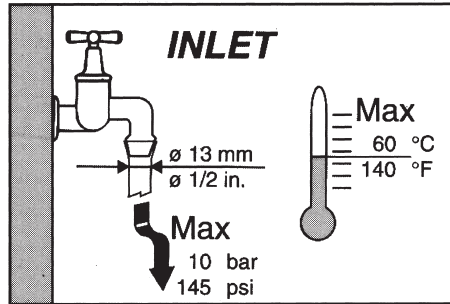
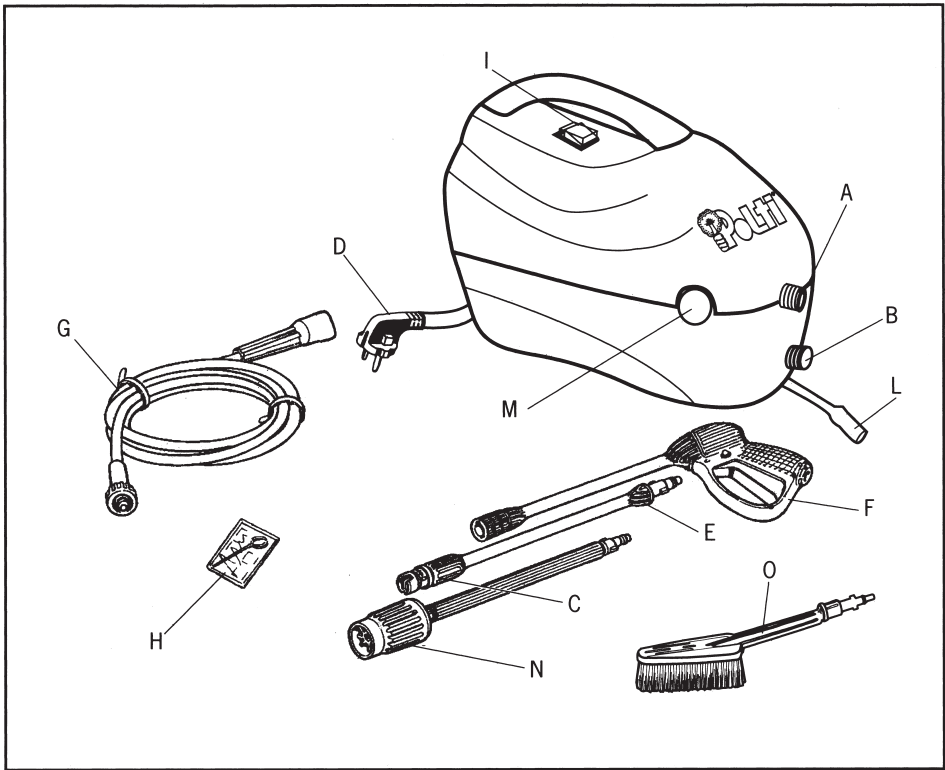




mondialjet 1040



PolTi



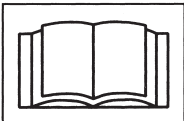
ATTENZIONE: Il presente libretto va letto prima di procedere all'installazione ed uso del prodotto.

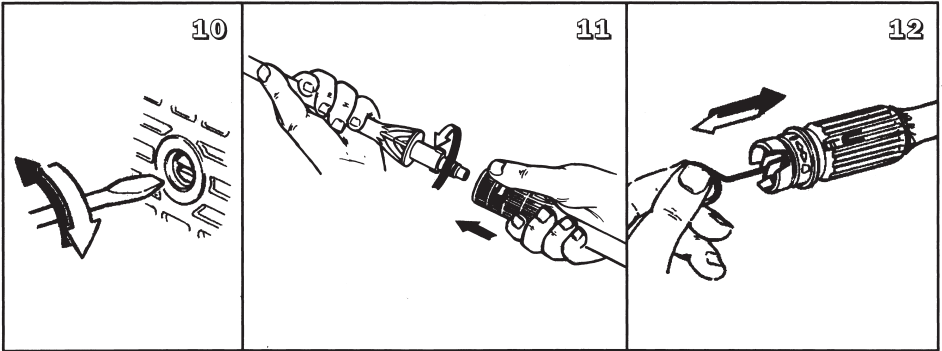
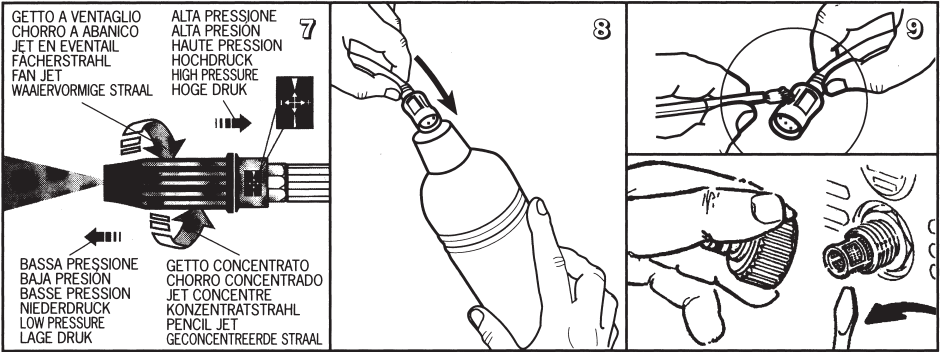
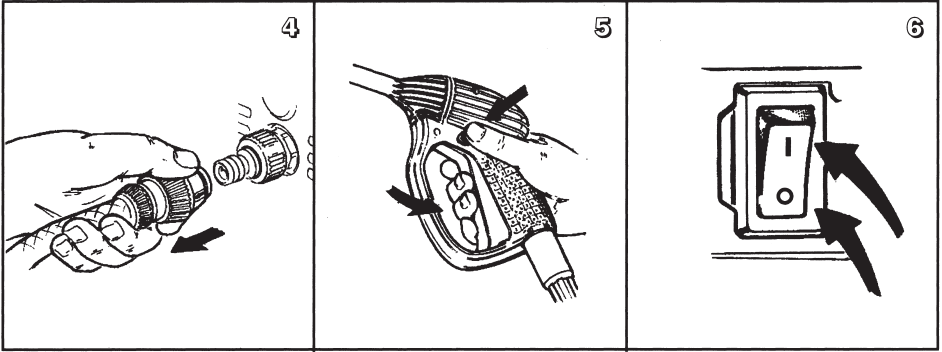
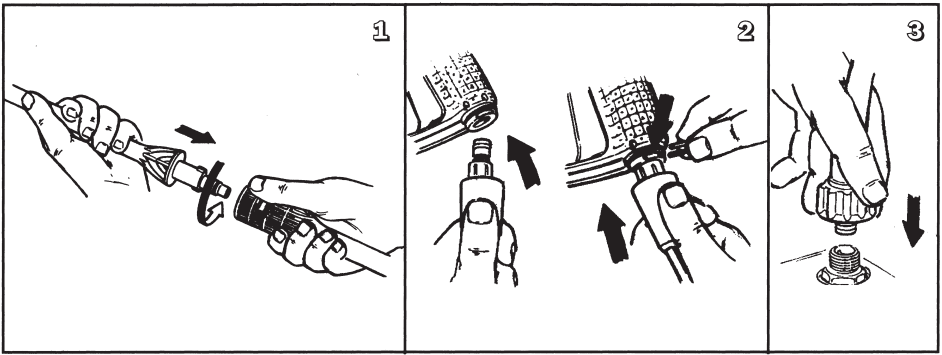
ATENCION: Este manual debe ser leído antes de proceder a la instalación y uso del producto.

ATTENTION: Ce livret doit être lu avant d'installer et d'employer le produit.
WARNING: This manual must be read before beginning installation of the unit.

ACHTUNG: Das vorliegende Handbuch ist vor der Installation und dem Gebrauch des Produkts aufmerksam zu lesen.

LET OP: Lees deze handleiding door voordat u het product installeert en in gebruik neemt.







- A) Water outlet
- B) Water inlet with filter
- C) Adjustable spray nozzle
- D) Power cord with attachment plug
- E) Lance
- F) Gun with safety catch
- G) High pressure hose
- H) Nozzle cleaning tool
- I) Motor ON-OFF switch
- L) Liquid detergent suction hose with filter
- M) Pressure gauge

ACCESSORIES SOLD SEPARATELY

- N) High pressure rotating nozzle
- O) Hydrobrush

TECHNICAL DATA

- Pump with 3 axial positions with Double Packing System.
- Pistons with Q.P.Q. (Quench, Polish, Quench) lubrication for long life.
- Total Stop System which stops the motor when no water is pumped, saving electrical energy.
- Pressure 120 bar
- Flow 460 l/h
- Power 1.95 kW

Politi S.p.A. reserves the right to change equipment or accessory specification without prior notice.

CE This unit conforms with the machine directive 89/392 and subsequent modifications and with EC-directives 89/336 as amended by 93/68 (EMC) and 73/23 as amended by 93/68 (low voltage).

INTRODUCTION

The high pressure power-jet cleaner you have purchased is a technologically advanced product. To obtain the best performance from your unit, read this booklet carefully and follow the instructions each time you use the cleaner.

SAFETY RULES



Warning: What you MUST NOT do

- DO NOT use the cleaner with inflammable or toxic liquids, or any products which are not compatible with the correct operation of the cleaner.
Danger of explosion or poisoning.
- DO NOT direct the water jet towards persons or animals. **Danger of injury.**
- DO NOT direct the water jet towards the unit itself, electrical parts or towards other electrical equipment. **Danger of electric shock.**
- DO NOT use the cleaner outside when raining. **Danger of short-circuit.**
- DO NOT allow Mondialjet to be used by children or by people who are not familiar with the usage instructions. **Danger of injury.**
- DO NOT touch the connection plug and/or socket with wet hands.
Danger of electric shock.
- DO NOT use the cleaner if the power cord is damaged.
Danger of electric shock and short-circuit.
- DO NOT use the cleaner if the pressure tube is damaged. **Danger of bursting.**
- Do NOT jam the trigger in the operating position. **Danger of injury.**
- Check that the data plates are affixed to the cleaner, if not, inform your dealer immediately. Cleaners without plates must NOT be used as they are unidentifiable potentially dangerous. **Danger of injury.**
- Do not tamper with or attempt to alter calibration of the control valve.
Danger of explosion.
- Do not alter the original diameter of the spray head nozzle.
Danger! Operating performance could be altered.
- DO NOT leave the cleaner unattended. **Danger of injury.**
- DO NOT pull the cleaner by the power cord. **Danger of short-circuit.**

Warning: what you MUST do

- All electrical conductors **MUST BE PROTECTED** against the water jet.
Danger of short-circuit.
- The cleaner **MUST ONLY BE CONNECTED** to a correctly earthed power supply.
Danger of electric shock.
- Use of a safety residual current circuit-breaker (R.C.C.B.) will provide additional protection for the operator (30 mA).
- The high pressure jet may cause loose particles to be propelled at high speed. Protective clothing and safety goggles **MUST BE WORN**. **Danger of injury.**
- Before carrying out any work on the cleaner, **DISCONNECT** the plug from the electrical supply socket. **Danger of accidental starting.**
- Before pressing the trigger, **GRIP** the gun firmly to counteract the recoil.
Danger of injury.
- **RESPECT** the requirements of the local water supply company. According to DIN 1988, power-jet cleaners may only be connected to the mains drinking water supply if a back-flow preventer valve is installed in the supply hose. **Danger of contamination.**
- Maintenance and/or repair of electrical components **MUST ONLY** be carried out by qualified persons. **Danger of injury.**
- **DISCHARGE** residual pressure before disconnecting the cleaner hose.
Danger of injury.
- Before using the cleaner, **CHECK** that the screws are fully tightened and that there are no broken or worn parts. **Danger of injury.**
- **ONLY USE** detergents which will not corrode the outer cover of the high pressure hose/power cord. **Danger of bursting and electric shock.**
- **ENSURE** that all persons/animals keep a minimum distance of 16 yd. (15m) when using the cleaner. **Danger of injury.**

GENERAL RULES

- The **USE** and **MAINTENANCE** manual constitutes an essential part of the cleaner equipment and should be kept safely for future reference.
- Before starting the cleaner, make sure that the water supply is connected. Operating the cleaner without water could damage the seals.
- Do not disconnect the plug from the electrical socket by pulling on the power cord.

- Do not attempt to move the cleaner unit by pulling on the high pressure hose; use the handle provided.
- Protect the cleaner from freezing during the winter.
- Do not obstruct the ventilation grilles during operation.
- The cross-section of any extension cables used must be proportional to their length, i.e., the longer the extension cable, the greater the cross-section. See table A.

Table A

MOTOR	Voltage Volts	Extension cable up to 80 ft.	Extension cable up to 160 ft.
	220 - 230 - 240	cross-section 3 x 1,5 mm ²	cross-section 3 x 2,5 mm ²
	110 - 115	cross-section 3 x 2,5 mm ²	cross-section 3 x 4 mm ²

- The cleaner must be positioned AS NEAR AS POSSIBLE to the water supply.
- The packaging is recyclable, and should be disposed of in accordance with local regulations.
- Only accessories and replacement parts authorised by the manufacturer are to be used. The use of original accessories and replacement parts will ensure safe, troublefree operation.
- Weight of cleaner without accessories: 30 lb.
- **The power-jet cleaner must only operate resting horizontally.**

Intended use

- The cleaner is intended for the cleaning of vehicles, machines, boats, buildings, etc., by the removal of stubborn dirt using clean water and chemical detergents.
- When using chemical detergents, only use biodegradable types.
- Only clean motor vehicles in areas in which suitable oil traps are installed.
- Repulsion on gun at max. pressure: ≤ 18 N.
Sound pressure level CEI IEC 335-2-79: 80 dB (A).

Safety valve

- The safety valve also functions as a pressure limiting valve. When the gun trigger is released, the safety valve opens and the water recirculates through the pump inlet.

INSTALLATION

- Connect the lance to the gun. **Fig. 1**
- Connect the gun to the high pressure hose. **Fig. 2**
- Connect the high pressure hose to the water outlet on the cleaner. **Fig. 3**
- Connect the water supply hose **Fig. 4** (not supplied) to the water inlet of the cleaner. The supply hose should have an internal diameter of 1/2 in. and should be reinforced. The water supply should be at least equal to the cleaner capacity. The water temperature must NOT exceed 140°F. The water supply pressure must NOT exceed 145 psi.
Caution! The cleaner must only be used with clean water. Non-filtered water or corrosive chemicals must not be used as they will damage the cleaner.
- Turn the motor switch to "0".
- Check that the electrical supply voltage and frequency (Volt/Hz) corresponds to that indicated on the cleaner data plate.
If the power supply is correct, you may now plug in the cleaner.
*If the motor stops and fails to restart, wait 2÷3 minutes before restarting. **Thermal cutout tripped.***

USE

- Open the water supply tap FULLY.
- **Disengage the safety catch Fig. 5, and press the trigger for a few seconds to allow air to escape and to discharge residual pressure in the pipes.**
- While keeping the trigger pressed, start the motor by pressing the switch. **Fig. 6**
- On TSS models, with automatic delivery shutoff:
 - when the trigger is released the dynamic pressure shuts the motor off automatically.
 - when the trigger is pressed the pressure drop automatically activates the motor and pressure is formed once again with a slight delay.
 - To ensure correct T.S.S. operation, the time interval between trigger release and engagement must not be less than 4÷5 seconds.

Use of standard accessories Fig. 7

- The cleaner is equipped with an “ALL-SPRAY” adjustable nozzle, which provides three important functions:
- LOW PRESSURE operation (for suction and mixing of detergent).
- HIGH PRESSURE operation (for high pressure washing and rinsing).
- Adjustment of the jet between pencil and fan settings.

Using detergent Fig. 8

Caution: liquid detergent **MUST** be sprayed at low pressure. See “USE OF STANDARD ACCESSORIES”.

- Using the special suction pipe with filter, the liquid detergent is automatically aspirated and mixed with water. Proceed as follows:
 - Select LOW PRESSURE (see instructions) and the detergent will be aspirated and mixed with water.

Correct use of the rotary nozzle (optional)

- For increased washing power, use the rotary nozzle kit as follows:
 - Turn off the high pressure washer.
 - Unscrew the adjustable head and tighten the rotary nozzle onto the jet;
 - Turn the high pressure washer back on.

Recommended cleaning procedure

- Dissolve dirt by applying detergent using the fan jet to the dry surface. On vertical surfaces, work from the bottom upwards. Leave the detergent to act for 1÷2 minutes, but do not allow to dry out. Then apply the high pressure jet, keeping the nozzle at least 10 in. from the surface, working from the bottom upwards. Avoid letting the water run on to unwashed surfaces.

Storage

- Wash out the detergent suction hose by aspirating clean water.
- Switch off the cleaner.
- Shut off the water supply tap.
- Discharge residual pressure by pressing the trigger until no more water comes out of the nozzle.
- Engage the gun safety catch.
- Detach the plug from the electrical supply socket.
- Operate the cleaner with non-corrosive/non-toxic antifreeze before storing for the winter.

MAINTENANCE

- *Warning! Before carrying out any work on the cleaner, detach the plug from the electrical supply socket.*
- Check and clean the suction filter and the detergent filter after every 50 hours of operation. **Fig. 9**
- **Long periods of disuse may allow the formation of limescale deposits. Insert the key provided in the hole on the rear of the motor and rotate to RELEASE the motor. Fig. 10.**
Remove the key and start the motor.
- Clean the nozzle with the tool provided. Detach the lance from the gun (**Fig. 11**) and remove any dirt from the nozzle (**Fig. 12**) and rinse.

PROBLEMS AND REMEDIES

PROBLEM	CAUSE	REMEDY
The pump does not operate at the prescribed pressure	<ul style="list-style-type: none"> - Nozzle worn or wrong type - Water filter clogged - Water supply pressure low - Air being sucked into the system - Air in pump - Nozzle adjusted wrongly 	<ul style="list-style-type: none"> - Replace nozzle - Clean filter - Open the water supply tap fully. - Check that hose fittings are tight. - Switch off the cleaner and operate the gun until a steady flow of water is obtained. Then switch cleaner back on - Pull the spray adjuster back (+).
The pressure gauge reading fluctuates	<ul style="list-style-type: none"> - Water temperature too high - Nozzle clogged 	<ul style="list-style-type: none"> - Lower temperature - Clean with tool provided
Excess noise	<ul style="list-style-type: none"> - Temperature too high - Air is being sucked in 	<ul style="list-style-type: none"> - Decrease - Check water inlet and outlet connections
Water leakage from head Oil leaks	<ul style="list-style-type: none"> - Worn seals - Oil seals worn 	<ul style="list-style-type: none"> - Fit new seals - Fit new seals
Motor does not start	<ul style="list-style-type: none"> - No electrical power 	<ul style="list-style-type: none"> - Check that the plug is firmly in the supply socket and that mains power is present
<p><i>Caution: a thermal cutout is fitted to protect the motor from overheating. The cutout will reset automatically when the motor has cooled down sufficiently.</i></p>		
The motor buzzes but fails to start	<ul style="list-style-type: none"> - Supply voltage below required minimum - Voltage loss due to use of extension cable of inadequate cross-section or excessive length - High pressure cleaner in disuse for extended period of time 	<ul style="list-style-type: none"> - Check the voltage of the mains supply line - Consult instructions regarding extension cables - Insert the key in the hole at the rear of the electric motor and unlock (Fig. 10)
<p>TSS MODELS ONLY:</p>		
Motor starts even though the trigger is released. No water when lever is operated (when supply hose is connected).	<ul style="list-style-type: none"> - Seal fault in high-pressure system. - Nozzle is clogged 	<ul style="list-style-type: none"> - Tighten delivery couplings. - Switch off power. Discharge pressure by loosening water outlet connection carefully. Re-tighten. Clean nozzle.