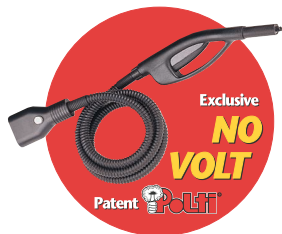


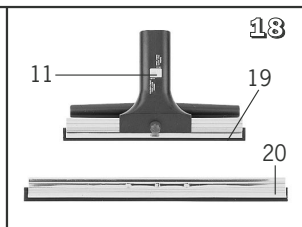
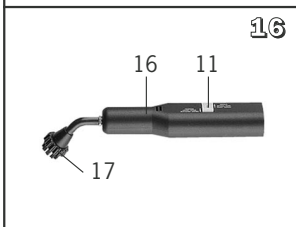
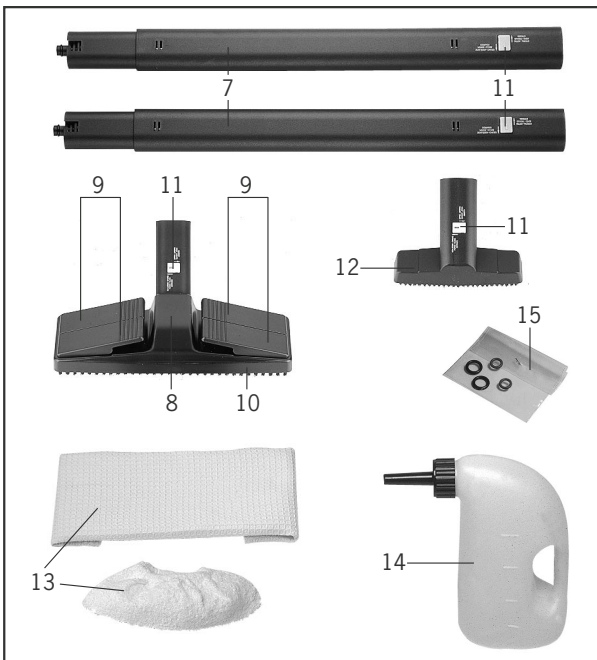
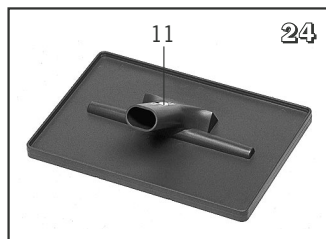
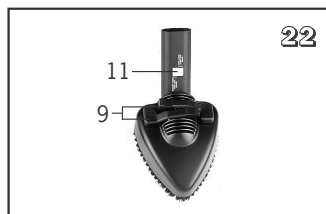
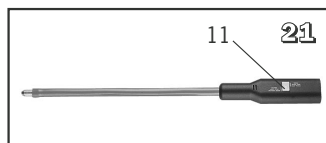
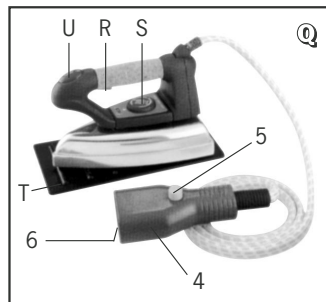
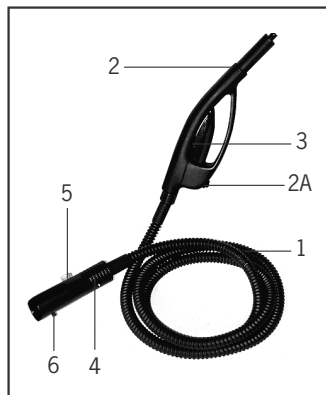
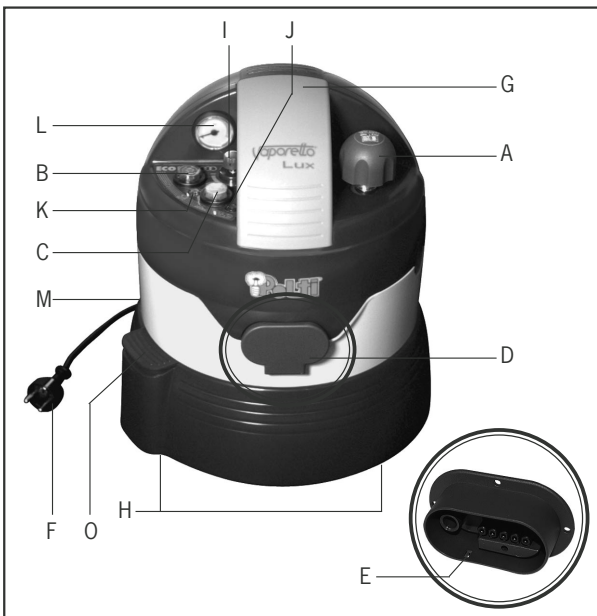
Vaporetto®

ecological
System

Eco Pro 3000

Lux
Kit Pro





Vaporetto®

Eco Pro 3000 Lux Kit Pro



GENERATOR

- A) Patented Safety Cap
- B) Main Generator on/off switch
- C) Accessory on/off switch
- D) Central connector block with splash proof cover
- E) Lock-in aperture for central connector
- F) Power supply cable
- G) Carrying handle
- H) Rotating wheel
- I) Steam regulation control
- J) "Water out" indicator light
- K) "Pressure building" indicator light
- L) Pressure gauge
- M) Cable winder
- O) Cable winder control pedal

ACCESSORIES

- 1) Flexible hose
- 2) Steam gun
- 2A) Safety switch
- 3) Steam request lever
- 4) Connector assembly
- 5) Press down connector button
- 6) Locking tab
- 7) Extension tubes
- 8) Large brush
- 9) Cloth retaining clips
- 10) Replaceable bristles plate

- 11) Accessories locking button
- 12) Small brush
- 13) Cotton cloths
- 14) Filler bottle
- 15) Spare washers for accessory connections
- 16) 120° nozzle
- 17) Small round brush for 120° nozzle
- 18) Window squeegee tool
- 19) Small blade for window tool
- 20) Large blade for window tool
- 21) High pressure lance
- Q) Iron
- R) Steam request button
- S) Temperature regulation control
- T) Iron rest
- U) Continuous steam jet button

ACCESSORIES SOLD SEPARATELY

- 22) Triangular brush
- 23) Large round brush for 120° nozzle
- 24) Wallpaper stripper tool

Polti S.p.A. reserves the right to change equipment or accessory specification without prior notice.

Congratulations!

With your purchase of a Polti Ecological Cleaning System you have opted for perfect safety and ecological cleaning:

- **Just use normal tap water. Do not put any other cleaning substances in the generator tank.**
- **With the special No-Volt feature (exclusive Polti patent) there is absolutely no electrical current in the hand gun which makes for absolute safety in use.**
- **The splash proof protects your appliance even if accidentally brought in to contact with liquids.**
- This generator is equipped with the new **Super Power feature**. The maximum power taken up when the machine is being heated from cold to ensure more rapid heating of the water. Once a certain level of temperature has been reached (level 1), a cut out comes into operation, reducing the electricity consumption. The system continues to heat using only the required amount of electricity to reach operating temperature most efficiently (level 2).

Using the pressing iron

When the optional professional strength pressing iron is used with the machine, in order to optimise electricity consumption and reduce the initial heating time of the water, the iron itself heats only to the first pressure level.

- **The patented Polti safety cap of the generator, which cannot be unscrewed whilst any pressure remains in the system, offers the best protection in your daily homeworks.**

Read these instructions carefully before use, and look out for the special safety tips for steam cleaning and ironing:



This unit conforms with EC-directives 89/336 as amended by 93/68 (EMC) and 73/23 as amended by 93/68 (low voltage).

FOR YOUR OWN SAFETY READ FOLLOWING INSTRUCTIONS CAREFULLY
BEFORE ATTEMPTING TO CONNECT THIS UNIT TO THE MAINS.

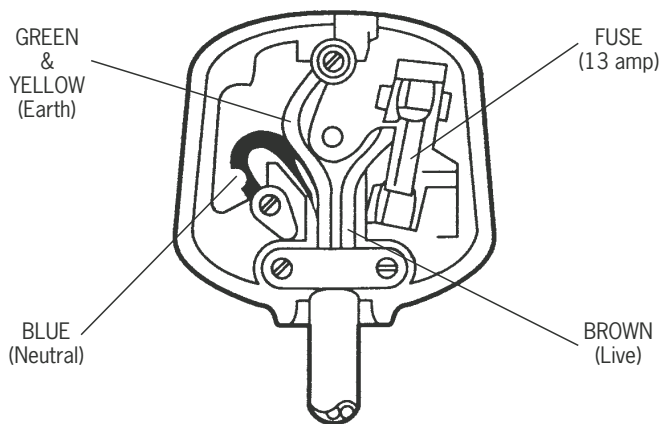
MAINS (AC) OPERATION (only U.K.)

This unit is designed to operate on 240V, 50 Hz current only. Connecting it to other power sources may damage the unit.

WARNING - This appliance must be earthed.

This appliance may be fitted with a non rewirable plug, if it is necessary to change the fuse in a non rewirable plug the fuse cover must be refitted. If the fuse cover is lost or damaged, the plug must not be used until a replacement, available from the appliance manufacturer, is obtained. It is important that the colour of the replacement fuse cover corresponds with the colour marking on the base of the plug.

If the plug requires to be changed because it is not suitable for your socket, or becomes damaged, it should be cut off and an appropriate plug fitted following the wiring instruction (below). The plug removed must be disposed of safely as insertion into a 13A socket is likely to cause an electrical hazard.



IMPORTANT

This wires in this mains lead are coloured in accordance with the following code.

- Green-and-yellow: Earth
- Blue: Neutral
- Brown: Live

As the colours of the wires in the mains leads of this appliance may not correspond with the coloured markings identifying the terminals in your plug, proceed as follows:

The wire which is coloured green-and-yellow must be connected to the terminal in the plug which is marked with the letter "E" or by the earth symbol or green-and-yellow.

The wire which is coloured blue must be connected to the terminal which is marked with the letter "N" or coloured black.

The wire which is coloured brown must be connected to the terminal which is marked with the letter "L" or coloured red.

PLEASE READ THE FOLLOWING BEFORE USE

- Before using your VAPORETTO carefully read these usage instructions.
- Before connecting VAPORETTO to the mains make sure that the current is the same as that indicated for the machine and that the plug is an earthed plug.
- Do not put any detergent or chemical substance in the tank.
Water by its nature contains magnesium, mineral salts and other deposits which in hard water areas can contribute to limescale build up in the tank. To avoid these problems, it is necessary to swill out with tapwater and empty the generator tank after every 3 or 4 uses. In very hard water areas we recommend the use of our **KALSTOP FP 2003**, a special natural-base decalcifier which inhibits and breaks down limescale, making it easy to remove just by swilling out the tank with a little tapwater. This is a preventive against scale build-up and protects the metal walls of the steam generator tank. **KALSTOP** is available from Polti dealers or by mail-order from your Polti Service Centre.
- Do not refill the tank while it is still hot, allow it to cool down for a few minutes before refilling.
- During filling and refilling we recommend you disconnect the machine from the mains supply.
- Never empty VAPORETTO when the water inside the generator tank is still hot.
- Do not place the appliance or any of the tools whilst connected in water or in any other liquids.
- Do not touch the appliance with wet hands and feet whilst the appliance is connected to the mains.
- Never leave the appliance unattended whilst it is connected to the mains.
- Do not allow VAPORETTO to be used by children or by people who are not familiar with the usage instructions.
- We recommend that the appliance is disconnected from the mains whenever it is not in use.
- It is necessary to keep the unit in horizontal position during operation.
- When Refilling the generator tank, use HOT rather than cold water, pour in gently at first and keep your face away. Otherwise the still hot tank walls can spit drops of very hot water or steam spray.
- When cleaning ovens, refrigerators and other electrical appliances, ALWAYS clean with the electricity supply switched off to the appliance you are cleaning, and make sure you keep the steam well away from the parts which will be live when the appliance is re-connected.
- Do not leave the appliance exposed to wind or rain.
- Do not lay the hot appliance on surfaces sensitive to heat.
- Do not use electric extension leads that are not authorized by the manufacturer, as they may cause damage or fire.
- In case of breakdown or malfunction switch off the appliance and never attempt to disassemble it, but refer to an authorized service center.
- In case of accidental fall of the appliance it is necessary to have it checked by an authorized service center as the internal safety features may have been affected.
- Never direct the jet of steam towards small particles of debris without first protecting the user's eyes.



Never place your hands inside the jet of steam.

Danger of burns!



Do not direct the steam jet at people or animals.

Danger of burns!

CORRECT USE OF THE PRODUCT

This appliance is intended for use as a steam generator as described and in accordance with the instructions provided in this manual. Please read these instructions carefully and keep them, as you may find them useful in future.

IMPORTANT

Before leaving our factory all our products are rigorously tested.

However, your VAPORETTO may contain some residual water in the boiler.

SET UP

Before using VAPORETTO for the first time assemble the pivoting wheels as indicated in the diagram.



CABLE WINDER

VAPORETTO ECO PRO 3000 LUX KIT PRO is equipped with a practical cable winder controlled by a pedal (O). To take out the supply cable, pull it carefully to the outside. To rewind the cable inside the VAPORETTO, it is enough to push the pedal (O) taking care to follow the cable gently during the insertion.



PREPARATION FOR USE

1. Unscrew the patented safety cap (A) and fill the generator with 2 litres of water, using the special anti-drop filler bottle (14) (Fig. 1).

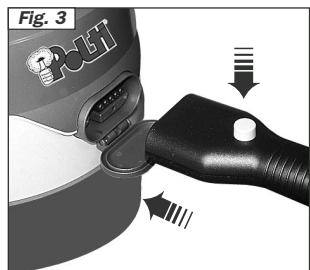
Normal tapwater can be used. However, as hard water by its nature contains limestone, which may cause a build-up of limescale in the tank, in hard water areas we recommend the use of our natural-base decalcifier **KALSTOP FP 2003**.

2. Carefully screw on the safety cap to hand tight (Fig 2).
3. Connect the power supply cable (F) into an earthed power supply of the correct voltage.



INSTRUCTIONS FOR USE

- 1a. Press down the generator on/off switch (B) and the accessories on/off switch (C) which will light up together with the pressure indicator light (K).
- 2a. Open the cover of the central connector block (D) and insert the central connector (4) pressing the connector button (5) and taking care that the locking tab (6) is correctly positioned in the lock-in aperture (E) on the block (Fig 3).
- 3a. Wait for the pressure warning light (K) (where available)



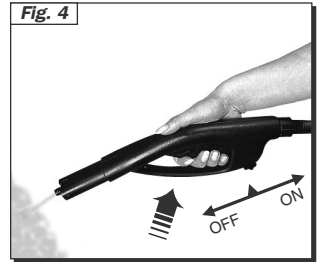
to go out. (Note: on some models where there is no separate pressure indicator light, instead wait for the light inside the generator on/off switch to go out).

VAPORETTO is now ready for use.

- 4a. The steam gun (2) is equipped with a safety switch (2A) which prevents the accidental start of the steam jet by children or people who do not know how to operate the appliance. With the switch **2A** in the "OFF" position, the lever controlling the steam jet is locked. Should the hose be left unattended for a moment whilst the appliance is connected to the mains, it is recommended to put the safety switch in the "OFF" position.

To start the steam jet, move the **2A** switch backwards (ON) and activate the steam request lever (fig.4). The first burst of steam may contain some water droplets, due to imperfect thermic stabilisation inside the flexible hose. We would therefore advise that the first jet of steam is played onto an old cloth until a constant pressure of steam is obtained. Should the hose be submitted to an excessive torsion during the use, the No-Volt device will stop the steam flux. In order to restore the output, just press the steam request lever.

Note: The pressure indicator light (K) may go on and off from time to time during use of VAPORETTO. This indicates the machine maintaining the correct and constant pressure and is quite normal.



STEAM REGULATION FEATURE

Some VAPORETTO models come equipped with a steam regulator control (I) (Fig 5). You can use this control to increase the steam flow by turning in an anti-clockwise direction. Turning the control in a clockwise direction reduces the steam flow. Here are some suggestions for the choice of steam flow level:

Strong steam: For encrusted dirt, stains, sanitising, grease

Normal steam: For carpets, rugs, glass, tiles etc.

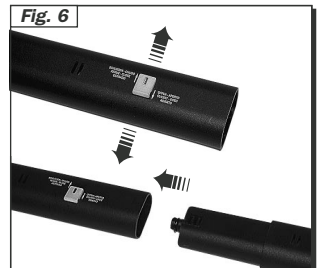
Delicate steam: For vaporising plants and cleaning delicate fabrics, upholstery, wallpaper etc. Please read separate warning about use on draylon, velvet and other delicate fabrics, or on sensitive wood surfaces.



CONNECTION OF ACCESSORIES

To connect the accessories tools to the hand gun proceed as follows (Fig. 6)

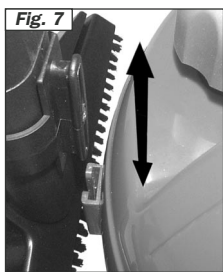
- 1b. Move the connector button (11) on the accessory to the "open" position.
- 2b. Attach the required tool to the hand gun.
- 3b. Move the connector button (11) back to the position 'closed'
- 4b. Check that the connector button has engaged and the accessory is fully connected.



USE OF THE ACCESSORIES HOLDER

The accessories holder place allows to fix the tube with the brush mounted on it on the appliance body.

Reposition on the appliance body: make the groove on the back of the brush slide into the guide of the accessories holder on the appliance (Fig. 7).



PATENTED SAFETY CAP / 'WATER OUT'

All POLTI machines are equipped with the unique Polti patented safety cap, which prevents opening of the generator tank as long as there is any pressure remaining inside the tank. This is an important and indispensable safety device, and it is necessary to follow certain procedures when re-filling the tank.

According to model, 'water out' is indicated by a warning light (**J**), or by an audible alarm signal from the machine, or on more basic models by the exhaustion of the steam output. Whenever you have used up all the water in the tank, follow the following procedures:

- 1c. Switch off the machine at the generator on/off switch (**B**)
- 2c. Press the steam request lever (**3**) on the hand gun (**2**) or, if using the iron, the steam request button (**R**) on the iron (**Q**) so as to fully exhaust the steam supply from the tank.
- 3c. Disconnect the power supply cable (**F**) from the mains.
- 4c. Unscrew anti-clockwise the patented safety cap (**A**)
- 5c. Wait for a few minutes to allow the generator tank to cool down.
- 6c. When cool proceed to carefully refill the tank as described in paragraph 1 of the section "Preparation for Use" in the instructions. If refilling the generator when not completely cooled, we recommend that you carefully pour only very small quantities of water at each pouring into the tank, so as to avoid spitting from the tank and cover exposed skin whilst filling.

USE OF THE PROFESSIONAL STRENGTH PRESSING IRON

- 1d. Connect the connector block at the end of the iron hose (**4**) to the generator as shown in point **2A** of the section "Instruction for Use".
- 2d. For all steam ironing, position the temperature indicator dial (**F**) to the position "COTONE - LINO". For dry ironing set the temperature control dial according to the fabric to be ironed as indicated on the dial.
- 3d. Wait for a few minutes for the indicator (**R**) to go out indicating that the sole plate of the iron has reached the correct temperature.
- 4d. Press the steam request button on the iron (**R**) to allow the steam to exit. Releasing this button stops the steam flow. At first you may find that the steam contains some water globules and we recommend that the first jet of steam is therefore played onto an old cloth, and is not directed onto the garment to be ironed.
For dry ironing do not press the steam request button (**R**).

- 5d. In order to have a continuous steam jet, move the button **(U)** forwards. Steam will keep on coming out, even releasing the button. To interrupt the outlet, move the button **(U)** backwards.
- 6d. The iron can also be used in a vertical position e.g. for removing creases from curtain, clothing etc.

IMPORTANT

- Do not leave the iron unattended whilst connected to the mains.
- Iron only on heat resistant surfaces on and on surfaces that allow the steam to escape e.g. mesh ironing boards.
- If you accidentally drop your iron, you should have it checked by an authorized Polti Service Centre because some internal malfunctionings might have occurred, limiting the safety of the product.

CAUTIONS

- For cleaning leather, wood or delicate fabrics especially dralon, velvet and other pile surfaces, consult the manufacturers instructions. Clean only by using the hand gun at a safe distance together with a soft cloth and always do a test on a non visible part of the item first or on a sample. Allow the test area to dry completely before observing results and effects on surface or colour before proceeding to clean further areas, ensuring that exactly the same distance and technique are applied as for the test area. If in doubt, and on sensitive surfaces like fabrics, leather and wood it is always better to ask advice from your Steam Cleaner dealer.
- For cleaning wood surfaces (furniture, doors etc.) take great care as too long an application of the steam could alter the waxed appearance, the shine or the colour of the surfaces cleaned. We therefore recommend you apply the steam on such surfaces only for brief periods or to clean these surfaces using a cloth first held in the steam.
- Please pay particular attention while cleaning brick floors: a too long application of steam could damage wax, brightness or colour of these surfaces.
- Delicate surfaces (e.g. synthetic materials, lacquered surfaces etc.) we recommend that the small brush should always be covered with at least two cloths to reduce the intensity of the steam, and (on machines with steam variation control) with the steam set at low level.
- If cleaning glass surfaces in particularly low temperatures preheat the glass using the hand gun from about 50 centimetres distance from the surface to be cleaned.
- For care of your plants vaporise at a minimum distance of 50 centimetres.

TIPS FOR BETTER UNIT PERFORMANCE

STEAM GUN (2)

The steam gun can be used directly on all spots requiring a stronger, closer treatment without connecting the brushes. The more resistant the stain, the closer you should hold the gun; the steam pressure and temperature being higher at the source. You should however always wipe with a dry cloth (or a slightly abrasive sponge-if the spot is a difficult one to remove) after using the gun.

The steam gun is particularly efficient at:

- breaking down rug and carpet stains before they are treated with the large brush;
- cleaning stainless steel surfaces, panes, mirrors, enamelled surfaces;
- cleaning hard-to-reach corners, such as stairs, window sills, door posts;
- cleaning window shutters, heaters, car interiors;
- spraying plants (from a distance);
- removing odours and creases from clothes.

To reach higher points, the steam gun can be connected to one or both extension tubes.

LARGE BRUSH (8)

To wash floors, put a clean, dry kitchen cloth under the brush and swing back and forth without applying any pressure. Use the other side of the cloth when the first one is impregnated with dirt. Use the brush directly without the cloth on particularly dirty or incrustated areas and in spaces between the tiles: swing the brush sideways to detach the dirt. Highly obstinate stains may require a steam gun treatment before the brush and cloth are used (an old bath towel is an ideal cloth). The same procedures apply to ceilings and vertical surfaces, like wallpaper: in this case the cloth can easily be fastened around the brush and held in place by the 4 clips (9) on the brush itself. Smooth cotton cloths are suitable for the treatment of glass surfaces: fasten the cloth around the brush then pass it over the window pane (or mirror) to remove the greasy film. Finally, spray the surface with the steam gun and wipe dry with a clean cloth. In cold weather, window panes will require pre-heating with the steam gun (from a distance of 10/15 cm), prior to the actual cleaning with the brush. Vaporetto Ecological System is ideal for both synthetic and wool rugs as well as for all types of carpets. Its use will ensure total hygiene, revive colours and restore the original brilliance of the pile. The treatment can be repeated as frequently as you wish, with no damage whatsoever. Drying occurs practically at once. Fold a cotton cloth over 2 or 3 times (according to the length and resistance of the pile) and fasten it onto the brush. Move the brush rapidly in all directions without applying any pressure. You should avoid lingering in the same place, as this may soak the area. Particularly dirty rugs may need several treatments. Obstinate stains may require the use of the steam gun prior to treatment.

SMALL BRUSH (12)

The small brush is designed to perform the same operation as the large brush, only on smaller surfaces. It can be connected to the steam gun with one or two extension tubes (7). For cleaning furniture spray the steam onto a dry cotton cloth then wipe with the cloth. The warm moist cloth will pick up dirt and static, so that the furniture remains cleaner longer thanks to the absence of sticky film from chemical cleaning products.

HOW TO USE THE NON-DRIP BOTTLE (14)

Unscrew the cap and fill the bottle with water, put the cap back on the neck of the bottle by inserting first the small tube into the body and then screwing tight.

Put the spout of the bottle close to the filling duct and then insert it. When the level of water

in the boiler reaches the tip of the spout, the water flow stops automatically. You can then move the bottle back to a vertical position.

Note: for products equipped with water level display: fill until the water reaches the max. level indicated).

120° STEAM NOZZLE (16)

The 120° nozzle (which can be connected directly to the gun or together with the extension tubes) allows you to concentrate a powerful jet of steam to otherwise inaccessible locations, such as radiators, door posts, sills and shutters, as well as for sterilising toilet bowls.

WINDOW SQUEEGEE TOOL (18,19,20)

The Window Squeegee Tool allows you to clean effectively and rapidly all glass surfaces without using detergents. Your glass will remain cleaner longer thanks to the absence of layers of film normally left behind by chemical cleaning products on which new dust and grease can attach itself.

Cleaning glass is done in two stages:

- Spraying the steam onto the surface to be cleaned to loosen the dirt (not touching with blade).
- Pulling the blade straight down the window surface from top to bottom without applying the steam, to take away the dirt.
- To clean especially large glass surfaces, attach the Window Squeegee Tool to the extension tubes.

LONG STEAM LANCE (21)

This accessory allows you to reach the most inaccessible places. Ideal for cleaning large radiators or shutters etc.

GARE OF YOUR VAPORETTO

- Before attempting any maintenance operation, be sure to always disconnect the appliance from the mains
- Never use chemicals or detergents in the water tank. It's possible to use normal tap water. Anyway as water by its nature contains magnesium, mineral salts and other deposits which in hard water areas can contribute to limescale build up in the tank, we advise the use of **KALSTOP FP 2003**, a special non-toxic, biodegradable organic product.
- We recommend that the bristles of the brushes are allowed to cool down in their normal position after use, so as to avoid any mis-shaping.
- **Check periodically the condition of the coloured washer connections on the central connector (4). If necessary, replace the washers with the spare washers supplied (15).**
Make the same check also on the connection washers of the extension tubes (7) and of the steam gun (2).
- To clean the body of the appliance, simply use a moist cloth. Do not use solvents or detergents which may harm the body material.

WARNING

- **In the case of a breakdown or malfunction do not attempt to repair the appliance yourself but refer to your nearest authorised service Centre.**
- If repairs or replacement parts are required, use only original Polti replacement parts.
- The appliance is fitted with a safety thermostat, which should only be replaced by an authorised technician.
- If it is necessary to replace the power supply cable, please refer to the nearest Polti-
authorised service centre, since the use of a special tool is necessary.

POLTI DECLINES LIABILITY FOR ANY DAMAGE OR ACCIDENT DERIVED FROM ANY USE OF VAPORETTO ECOLOGICAL SYSTEM WHICH IS NOT IN CONFORMITY WITH THE INSTRUCTIONS CONTAINED IN THIS BOOKLET.

***INCREASE THE VERSATILITY OF VAPORETTO
EVEN FURTHER WITH THE FOLLOWING
OPTIONAL ADDITIONAL ACCESSORIES***

TRIANGULAR BRUSH (22)

A new accessory whose shape allows access into the most difficult corners.

LARGE BRUSH FOR 120° ACCESSORY (23)

A very useful new accessory which allows the 120° steam nozzle to be used for cleaning larger surfaces.

WALLPAPER STRIPPER TOOL (24)

Specially designed for easy removal of wallpaper without significant wetting.
