

Vaporella®

FOREVER 600
INOX

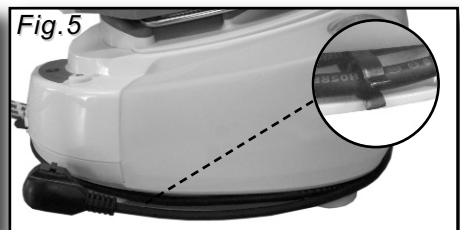
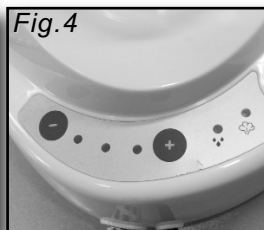
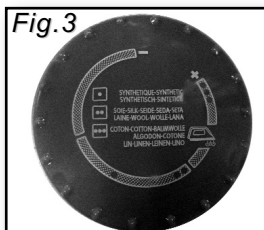
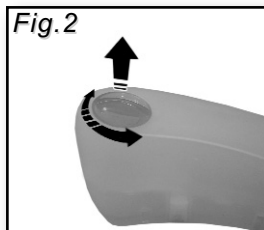
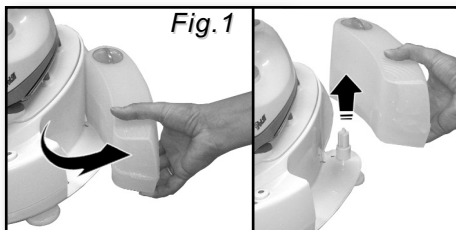
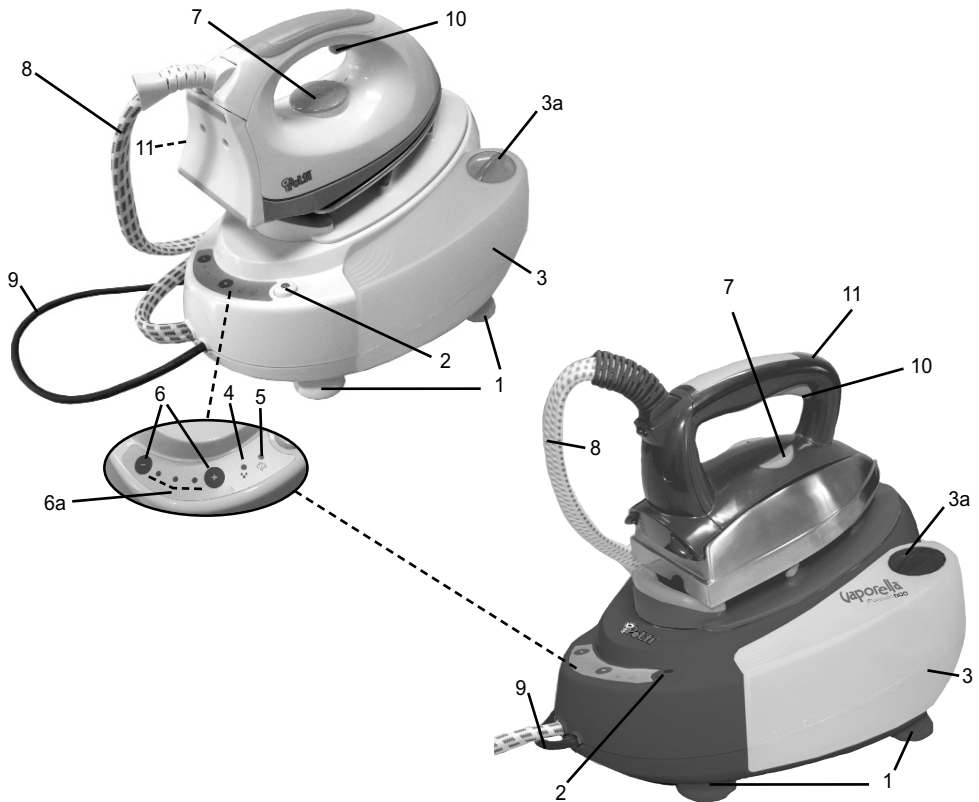


Vaporella®

FOREVER 600



VL FOREVER 600 INOX - VL FOREVER 600





Read these instructions carefully before using the appliance.

KEY

- 1) Cable winder
- 2) Illuminated ON/OFF switch
- 3) Tank
- 3a) Tank cap
- 4) Low water level indicator
- 5) Steam ready indicator
- 6) Steam control panel
- 6a) Steam intensity indicator
- 7) Iron temperature control knob
- 8) Flex (Steam and electric)
- 9) Power supply cable
- 10) Steam request button
- 11) "Iron heating" indicator light

PLEASE READ THE FOLLOWING BEFORE USE

KEEP THESE INSTRUCTIONS

- Read these instructions for use carefully before using the appliance.
- Any use which does not comply with these instructions will invalidate the warranty.
- The wiring system to which the appliance is connected must always comply with the laws in force.
- Before connecting the appliance, make sure that the mains voltage is the same as the voltage indicated on the data label of the appliance and that the power outlet is connected to earth
- Always turn off the appliance at the on/off switch before unplugging it.
- If the appliance is left unused, always disconnect it from the mains. Never leave the appliance unattended with the cable plugged into the mains.
- Always make sure the appliance is unplugged before performing maintenance work of any kind
- Do not pull the power supply cable out of the socket, but grasp the plug itself to avoid damage to the socket.
- Do not allow the power supply cable to be twisted, crushed, stretched, or come into contact with sharp or hot surfaces.
- Do not use the appliance if the power cable or other important parts are damaged.
- Do not use electric extension leads that are not authorized by the manufacturer, as they may cause damage or fire.
- If it is necessary to replace the power supply cable, please refer to the nearest Polti authorised service centre, since the use of a special tool is necessary.
- Never touch the appliance with wet hands or feet with the cable plugged into the mains.
- Do not use the appliance when barefoot.
- Do not use the appliance near a bathtub, shower or container full of water
- Never immerse the appliance, the cable or the plugs in water or other liquids.
- Use of the appliance where there is a danger of explosions is prohibited.
- Do not use the product with toxic substances.
- Do not lay the hot appliance on surfaces sensitive to heat.

VL FOREVER 600 INOX - VL FOREVER 600

- Do not leave the appliance exposed to wind or rain.
- Do not place the appliance near a live element, an electric stove or any other source of heat.
- Do not expose the appliance to extreme temperatures
- Never let children or people who are not familiar with how the appliance works use it.
- Do not press the buttons hard or with a pointed object such as a pen.
- Always rest the appliance on a stable surface.
- In case of accidental fall of the appliance it is necessary to have it checked by an authorized Service Centre as the internal safety features may have been affected.
- If the appliance is dropped and shows signs of damage, do not use it but take it to a technical service centre.
- In order to avoid prejudicing the safety of the appliance, use only original spare parts and accessories approved by the manufacturer.
- Do not wind the power cable around the appliance, especially when the appliance is still hot.
- During refilling water, switch off and disconnect the appliance from the mains.
- It is necessary to keep the unit in horizontal position during operation.
- Do not direct the steam jet on electrical appliances.
- Leave the appliance to cool down before cleaning it.
- Before storing the appliance be sure that it has completely cooled down.
- This appliance is equipped with safety devices which are to be replaced only by a suitably qualified technician.
- Do not direct the steam jet at people, animals or debris. **Danger of burns!**
- Never place your hands inside the jet of steam.
Danger of burns!
- Do not put any detergent or chemical substance in the water tank.
- **Water, in nature, contains magnesium and mineral salts which aid limescale build-up. To avoid this residue may cause problems to your appliance, use demineralized water only.**
- If you iron sitting down, do not put your legs under the ironing board, the steam can cause burns.
- Iron only on heat resistant surfaces and on surfaces that allow the steam to escape, e.g. mesh ironing boards.
- The iron must be used and rested on a stable surface.
- When placing the iron on its stand, make sure that the surface on which the stand is placed is stable.
- This appliance is not intended for use by persons (including children) with reduced physical, sensory or mental capabilities, or lack of experience and knowledge, unless they have been given supervision or instruction concerning use of the appliance by a person responsible for their safety.
- Children should be supervised to ensure that they do not play with the appliance.

IMPORTANT

Before leaving our factory all our products are rigorously tested. Therefore, your VAPORELLA may contain some residual water in its tank.

CORRECT USE OF THE PRODUCT

This appliance is intended for home use as a steam generator as described and in accordance with the instructions provided in this manual.

Please read these instructions carefully and keep them, as you may find them useful in future.

Polti declines liability for any damage or accident derived from any use of VAPORELLA which is not in conformity with the instructions contained in this manual.

ATTENTION

Directive 2002/96/EC (Waste Electrical and Electronic Equipment - WEEE): information for users

This product complies with EU Directive 2002/96/EC.



The crossed-out wastebasket symbol on the appliance means that at the end of its useful lifespan, the product must be disposed of separately from ordinary household wastes.

The user is responsible for delivering the appliance to an appropriate collection facility at the end of its useful lifespan.

Appropriate separate collection to permit recycling, treatment and environmentally compatible disposal helps prevent negative impact on the environment and human health and promotes recycling of the materials making up the product. For more information on available collection facilities, contact your local waste collection service or the shop where you bought this appliance.

PREPARATION FOR USE

- Pull the water tank out (3) and pull it up off its base (fig.1).
- Unscrew the cap on the tank (3a) (fig.2) and fill the tank with demineralised water.
- Water, in nature, contains magnesium and mineral salts which aid limescale build-up. To avoid this residue may cause problems to your appliance, use demineralized water only.
- Close the cap on the tank (3a) and put the tank (3) back on the appliance, performing the same steps in reverse.
- Connect the cable plug to an earthed power supply of the correct voltage.
- Press the illuminated ON/OFF switch (2).
- The noise you will hear during use is due to the water refilling system.

INSTRUCTIONS FOR USE

Before ironing a garment, it is always advisable to check the symbols and instructions on the label provided by the garment manufac-

turer.

Check which kind of ironing is recommended, referring to the table below:

	Steam ironing allowed For dry ironing, set thermostat on •••
	Steam ironing allowed For dry ironing, set thermostat on ••
	Check the fabric's resistance to steam ironing or dry iron with thermostat set on •
	- do not iron - steam ironing or treatment not allowed

STEAM IRONING

- Set the iron temperature on “COTTON - LINEN” steam position (fig. 3), by turning the control knob (7).
- Wait until the steam ready indicator (5) comes on and the iron heating indicator (11) goes off (about 3 minutes). Push the steam request button (10) on the iron to release steam from the holes on the soleplate. Release the button and the steam flow stops.

NOTE: at the first request of steam, a few drops of water mixed with steam may come out of the soleplate until the temperature stabilizes. It is advisable to direct the first jets of steam onto an old cloth until a uniform stable jet of steam is obtained.

STEAM CONTROL

Use the “+” and “-” buttons on the steam control panel (6) to adjust the amount of steam dispensed to suit the fabric to be ironed. Press the “+” button to increase the intensity of steam dispensed, or press “-” to decrease its intensity (fig.4).

You may adjust steam intensity to 3 different levels:

- *Light steam:*
indicator light (6a) on the left on
- *Medium steam:*
indicator light (6a) in the middle on
- *Strong steam:*
indicator light (6a) on the right on

DRY IRONING:

- For DRY ironing (without steam), set the iron temperature by turning the control knob (7) on the position required for the fabric, as shown on the same knob. When dry ironing, be careful NOT TO PRESS THE STEAM REQUEST BUTTON (10) on the iron, otherwise water may leak from the soleplate.

NOTE:

- Both (5) and (11) indicator lights go on and off during operation; this is quite normal and means that the electric resistances are operating to maintain the system at a constant temperature. You may continue ironing as usual as this phenomenon is normal.

LOW WATER LEVEL

The low water indicator (4) will flash when the water level is low.

If no steam comes out when pressing the steam request button, this means that there is no more water in the tank.

To keep on working, simply restore the water level in the self-refilling tank as described in the "Preparation for use" paragraph.

CABLE WINDER

Put away the iron when you have finished ironing. Let the iron cool before putting it away. Wind the cable around the cable winder (1) as shown in (fig.5). Hook the end of the cable with the clip to the rest of the cable so that it will not come off.

CARE OF YOUR VAPORELLA

- **Before attempting any maintenance operation, always disconnect the appliance from the mains.**
- To clean the body of the appliance, simply use a moist cloth. Do not use solvents or detergents which may harm the body material.