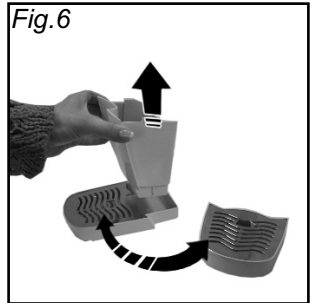
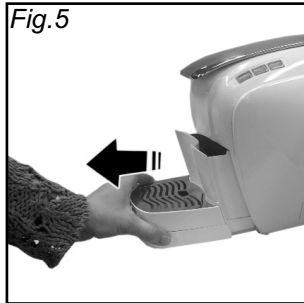
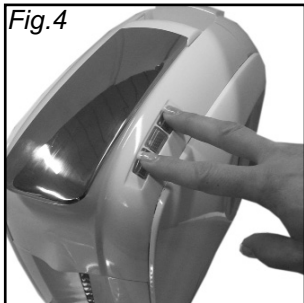
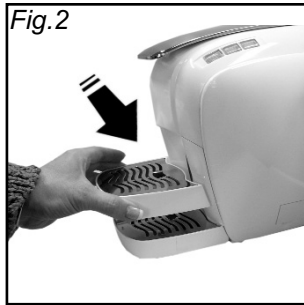
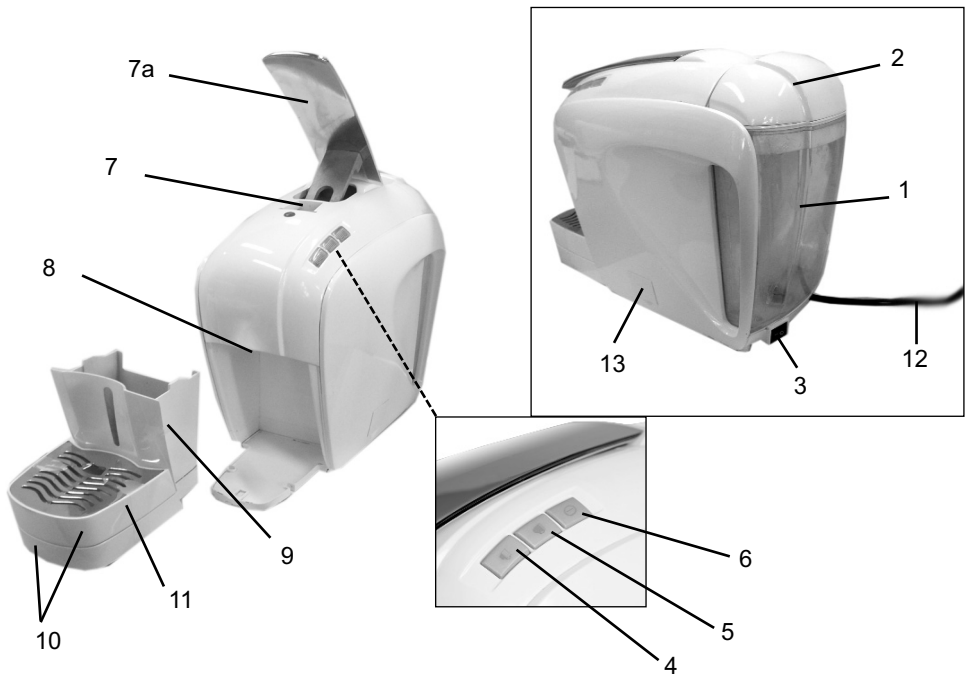


È Espresso 1882







Read these instructions carefully before using the appliance.

LEGEND

- | | |
|---|--|
| <ol style="list-style-type: none"> 1) Water reservoir 2) Reservoir lid 3) Main switch 4) Strong coffee button 5) Weak coffee button / Reset button 6) Stand-by button 7) Capsule compartment | <ol style="list-style-type: none"> 7a) Capsule compartment door 8) Coffee dispenser 9) Used capsules collection drawer 10) Drip tray 11) Small cup adapter 12) Power supply cable 13) Milk frother connection |
|---|--|

CE *This appliance conforms with Directive 2004/108/EC (EMC) and Directive 2006/95/EC (low voltage).*

Polti S.p.A. reserves the right to change equipment or accessory specification without prior notice.

PRECAUTIONS

KEEP THESE INSTRUCTIONS

- Read these instructions for use carefully before using the appliance. Any use which does not comply with these instructions will invalidate the warranty.
- The wiring system to which the appliance is connected must always comply with the laws in force.
- Before connecting the appliance, make sure that the mains voltage is the same as the voltage indicated on the data label of the appliance and that the power outlet is connected to earth.
- Always turn off the appliance at the on/off switch before unplugging it.
- If the appliance is left unused, always disconnect it from the mains. Never leave the appliance unattended with the cable plugged into the mains.
- Always make sure the appliance is unplugged before performing any maintenance work described in this manual.
- Do not pull the power cable out of the socket, but grasp the plug itself to avoid damage to the socket.
- Do not allow the power cable to be twisted, crushed, stretched, or come into contact with sharp or hot surfaces.
- Do not use the appliance if the power cable or other important parts are damaged.
- Do not use electric extension leads that are not authorized by the manufacturer, as they may cause damage or fire.
- If it is necessary to replace the power supply cable, please refer to the nearest Polti authorised service centre, since the use of a special tool is necessary.
- Never touch the appliance with wet hands or feet with the cable plugged into the mains.
- Do not use the appliance when barefoot.
- Do not use the appliance near a bathtub, shower or container full of water.
- Never immerse the appliance, the cable or the plugs in water or another liquid.
- Use of the appliance in places where there is a danger of explosions is prohibited.
- Do not use the product with toxic substances.
- Do not lay the hot appliance on surfaces sensitive to heat.
- Never leave the appliance exposed to weathering.
- Do not place the appliance near a live element, an electric stove or any other source of heat.
- Do not expose the appliance to temperatures below 0° C and above 40° C and direct sunlight.
- Never let children or people who are not familiar with how the appliance works use or approach it.
- Press the buttons only with a finger, without excessive force and avoid using a pointed object such as a pen.
- Always rest the appliance on a stable surface.
- In case of accidental fall of the appliance, disconnect it immediately from the mains or do not turn it on. It is necessary to have it checked by an authorised Service Centre as the internal safety features may have been affected.
- In case of breakdown or malfunction switch off the appliance and never attempt to disassemble it, but refer to an authorized Service Centre.
- In order to avoid prejudicing the safety of the appliance, use only original spare parts and acces-

sories approved by the manufacturer.

- Do not wind the power cable around the appliance, especially when the appliance is still hot.
- It is necessary to keep the unit in horizontal position during operation.
- Check that there is water in the reservoir before turning on the machine.
- To fill the water reservoir use only fresh, clean water, never use sparkling mineral water, demineralised water, distilled water, milk or other liquids.
- During refilling with water, switch off and disconnect the appliance from the mains.
- Never immerse the appliance or any of its parts in water and never use the dishwasher.
- The presence of water in the used capsule drawer is normal and is due to the emptying of the circuit at the end of each dispensing operation.
- This appliance dispenses hot liquids that can burn or cause injury. Therefore it cannot be used by persons (including children) with reduced physical, sensory or mental capabilities, or lack of the required experience or knowledge.
- The appliance cannot be used if it has been dropped, if there is any visible damage or leaks.
- If the power cable is damaged, it must be replaced by the manufacturer or its customer service or a person with similar qualifications, in order to prevent any risk.

CORRECT USE OF THE PRODUCT

This appliance is intended to be used in household and similar applications such as:

- Staff kitchen areas in shops, offices and other working environments;
- Farm houses;
- By clients in hotels, motels and other residential type environments;
- Bed and breakfast type environments.

Please read the instructions carefully and keep them, as they could be useful to you in the future.

Polti S.p.A declines liability for any damage or accident derived from any use of this appliance which is not in conformity with the instructions contained in this manual.

ATTENTION

Directive 2002/96/EC (Waste Electrical and Electronic Equipment - WEEE): information for users
This product complies with EU Directive 2002/96/EC.



The crossed-out wastebasket symbol on the appliance means that at the end of its useful lifespan, the product must be disposed of separately from ordinary household wastes.

The user is responsible for delivering the appliance to an appropriate collection facility at the end of its useful lifespan. Appropriate separate collection to permit recycling, treatment and environmentally compatible disposal helps prevent negative impact on the environment and human health and promotes recycling of the materials making up the product. For more information on available collection facilities, contact your local waste collection service or the shop where you bought this appliance.

SET UP - PREPARATION OF THE MACHINE

- Carefully remove the machine and the accessories from the package.
- Open the lid, remove the water reservoir (1) (fig.1) and wash it with clean cold water.
- Fill up the reservoir (1) only with fresh, clean water, place it back into the machine and close the lid. Do not use sparkling water or other liquids to fill the reservoir.
- Insert the power cable plug (12) into a suitable earthed socket.
- Switch on the appliance by pressing the power switch (3).
- The machine starts warming up and the three buttons 4,5 and 6 light up cyclically.
- Wait until buttons 4,5 and 6 remain lit. At this point you can make coffee.
- The maximum quantity of coffee that is possible to make is of about 50 ml.

ATTENTION: whenever the machine is turned on, it is recommended to brew water for a few seconds, without introducing any capsules, so as to stabilise the temperature and clean brewing parts.

MAKING COFFEE

- If you are using small cups use the special adaptor (11) (fig.2).
- Put a cup under the coffee dispenser (8).
- Open the capsule compartment door (7a) and put a capsule in the compartment (7), in the position suggested by its shape (fig.2).
- Close the door, pushing it all the way.

• WARNING: the capsule is automatically pushed into the compartment when the door (7a) is closed, pushing it as far as it will go. Never push the capsule in with your fingers.

- If you want a strong coffee, press button (4), while if you want a weak coffee, press button (5). In any case, you can stop dispensing once the coffee reaches the desired amount (if less than the programmed dose), by pressing the same button used to start dispensing.
- To program the volume of your coffee, follow the instructions in paragraph "PROGRAMMING COFFEE VOLUME".
- The used capsule automatically falls into the collection drawer (9) when a new one is placed in the compartment (7).

PROGRAMMING COFFEE LENGTH

You can set coffee volume to have strong or weak coffee.

After turning on the machine and introducing the coffee capsule, proceed as follows:

- Press and hold the stand-by button (6) and the strong (4) or weak coffee button (5). The dispensing will start after about 3 seconds (fig.4).
- Once the desired amount of coffee has been dispensed, release the buttons.
- For future dispensing, the volume dispensed will be the same as that stored.

NO WATER

When the water in the reservoir has run out (1) the dispensing stops and the red button (5) lights up.

- Refill the reservoir.
- Reset the no water alarm by pressing button (5).

USED CAPSULE DRAWER FULL

When the capsule collection drawer (9) is full, proceed as follows:

- Remove the drawer (9) from the machine (fig. 2).
- Separate the drawer (9) from the tray (10) (fig.6).
- Empty the drawer and the tray.
- Fit the parts back into the appliance.

The drawer should be emptied after every 10 cups of coffee.

STAND-BY

If the appliance is idle for 10 minutes, it enters into stand-by mode, i.e. it automatically turns off the heating system to save energy. The stand-by mode is shown as button (6) lights up red.

To re-activate the appliance, press button (6).

AUXILIARY SOCKET FOR MILK FROTHER

The milk frother (sold separately) can be connected using the auxiliary socket (13).

Do this with the machine off; follow the instructions given in the Cappuccino Maker manual.

MAINTENANCE

- Always unplug the appliance before performing any maintenance operations.
- Clean the outside of the appliance with a damp cloth only. Never use solvents or detergents, as they could damage the plastic surface.
- Empty the capsule drawer (9) and the drip tray (10) regularly.

CLEANING CYCLE

- Run the cleaning cycle once a year for an average use of 3 capsules per day. For greater use, run it earlier.

Proceed as follows:

- Fill the reservoir (1) with water and add a bottle of Clean Espresso, a special descaling and degreasing product, following the instructions on the package.
- Place a large container under the coffee outlet
- Open the lever (7a) of the capsule compartment, make sure that the capsule falls into the capsule collecting compartment, and close it by pushing it all the way down.
- By pressing one of two buttons 4 or 5 the machine will dispense water. Repeat the process until all the water in the tank (1) is delivered.
- Repeat the process with water only, without Clean Espresso.
- To exit the cleaning cycle, turn the machine off and on again.
- At the end of the process the machine is ready for brewing drinks.



To clean and maintain your Polti capsule coffee-maker, we recommend using the Clean Espresso cleaning kit (item code PAEU0176).

Clean Espresso cleans and protects, extending the life of your coffeemaker thanks to two new, specifically designed formulas (decalcifying and degreasing).

Clean Espresso is available at www.aromapolti.com

If you decide to use the CLEAN ESPRESSO cleaning kit, we recommend repeating the action described at point 8 of the instruction manual at least three times, in order to rinse the insides of the machine thoroughly.

TROUBLESHOOTING

PROBLEM	CAUSE	SOLUTION
Buttons 4 - 5 - 6 are off	Mains lead not inserted Main switch (3) is off	Connect the power supply cable to a suitable electric socket. Turn on the main switch
Button (5) lights up red	Water reservoir (1) is empty.	Fill the water reservoir (1). Reset the alarm by pressing button (5).
The capsule collection drawer (9) does not close (do not force it)	The drawer is full of used capsules	Empty the drawer and put it back in the appliance.
The appliance won't dispense coffee	Dispensing hoses are clogged	Brew water without introducing the capsule
The flow of coffee is irregular and flows out of the cup	Dispensing nozzle is dirty	Clean dispensing nozzle with a damp cloth
The appliance appears to work properly, but does not dispense coffee	No capsule in the compartment.	Put the right capsule in the compartment and repeat the process.
Buttons 4, 5 and 6 flash red simultaneously.	Malfunction	Turn off the appliance and contact an authorised service centre.